

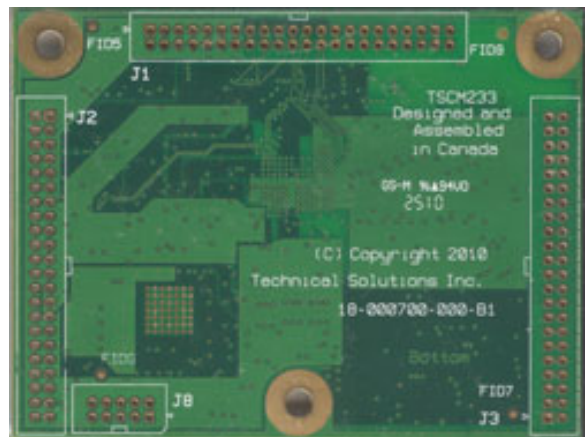
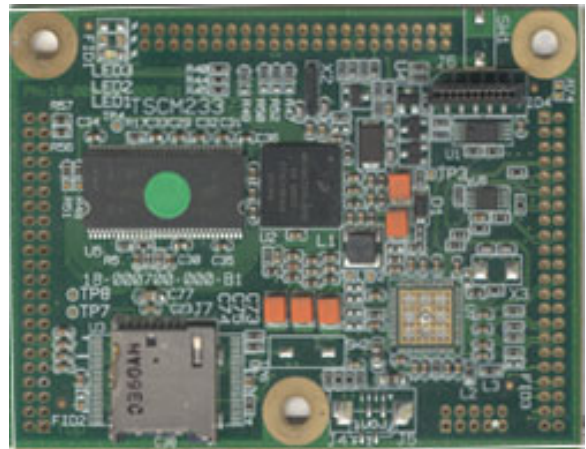
# TSCM-233 Medallion Touch Screen Computer Module

\$Id: tscm233.xml 2445 2012-01-16 23:31:14Z brolin \$

This Module is powered by an i.MX233 processor from Freescale Semiconductor.

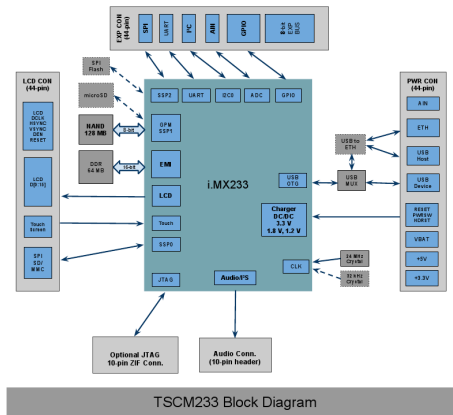
Feature	Description
Processor speed	Programmable up to 454 MHz
LCD	<ul style="list-style-type: none"> <li>18-bit TFT</li> <li>integrated touch panel controller</li> <li>FETs on-board</li> </ul>
Power	<ul style="list-style-type: none"> <li>Single 3.3 V supply in OR Li-Ion Cell</li> <li>multiple on-board supplies</li> <li>on-board Li-Ion battery charger</li> <li>on-board reset controller</li> <li>very low power consumption</li> </ul>
Serial ports	<ul style="list-style-type: none"> <li>2 UARTs with RX/TX</li> <li>1 IrDA on one of the UARTs</li> <li>2 I<sup>2</sup>C (in HW) for on-board config. management and user functions</li> <li>1 Hi-speed SPI</li> </ul>
USB	<ul style="list-style-type: none"> <li>1 or 2 High-speed USB 2.0 HOST port</li> </ul>

## Product Image



## Block Diagram

Feature	Description
	<ul style="list-style-type: none"> <li>1 high-speed USB 2.0 Device port</li> <li>Host and Device share 1 interface via on-board mux</li> </ul>
Audio	<ul style="list-style-type: none"> <li>Microphone input</li> <li>Stereo Headphone amplifiers</li> <li>optional IIS interface instead</li> </ul>
GPIO	8
NOR flash	optional serial flash memory on dedicated SPI
Main memory	up to 64 MB of DDR SDRAM
Solid-state disk	provided via microSD card or NAND flash (up to 1 GB)
Memory expansion	direct wire to SD card connector or USB host for flash memory card or USB Mass Storage device options on I/O board
Dimensions	60 mm × 80 mm
Software	Included drivers: <ul style="list-style-type: none"> <li>all the on-board peripherals</li> <li>Linux framebuffer</li> <li>GTK+</li> <li>Qt Embedded</li> <li>X11 (Xorg)</li> <li>Audio Play and Record programs</li> <li>file systems</li> <li>USB:                             <ul style="list-style-type: none"> <li>Mass Storage Devices</li> </ul> </li> </ul>



[enlarge image](#)

**Ordering Information**

Model Name	Part Number	Price: \$ at Q=1000
TSCM233#310	37#000700#310	\$49
TSCM233#330	37#000700#330	\$59

Please [Contact Us](#) for pricing for other quantities.

**Contact Us**

Telephone	<a href="tel:1888TECHSOL">1 888 TECHSOL</a>
Web	<a href="#">Contact form</a>
E-mail	<a href="mailto:sales@techsol.ca">&lt;sales@techsol.ca&gt;</a>

**See also**

- [TSCM#233 press release](#)
- [DevKits](#)

Feature	Description
	<ul style="list-style-type: none"> <li>• Human Interface Devices                             <ul style="list-style-type: none"> <li>• text input devices, such as keyboards</li> <li>• pointing devices, such as mice and trackballs</li> </ul> </li> <li>• USB Gadget</li> <li>• etc.</li> <li>• for all the I/O board peripherals, such as:                             <ul style="list-style-type: none"> <li>• Ethernet</li> <li>• USB Gadget</li> <li>• extra UARTs</li> <li>• etc.</li> </ul> </li> </ul>

**Comparison**

Config	Ethernet MAC	Ethernet PHY	Audio	USB Host	USB Device
TSCM233#310	#		#	1*	1*
TSCM233#330	#	#	#	2*	1*

\* Note: Only USB Host or Device can operate at once.