

HY7201 Medallion CPU Module

\$Id: HY7201.xml 2436 2011-12-02 00:40:25Z brolin \$

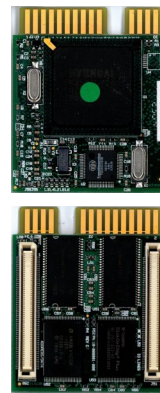
This Module is powered by a Hynix GMS30c7201 processor, featuring an ARM-720T core with MMU and cache memories.

Important

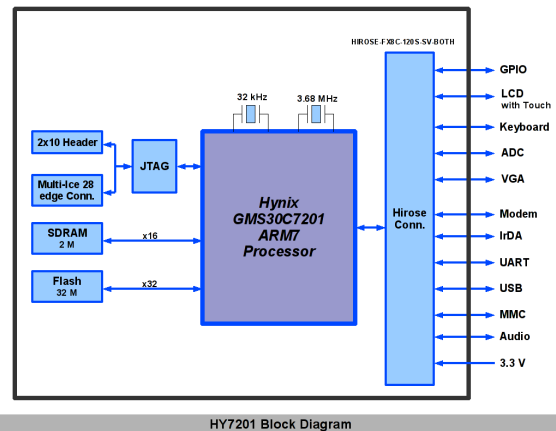
The HY7201 is a **legacy product** and consequently should *not* be used for new designs. **New designs** should use the [SA2410](#) or a [TSCM](#).

Feature	Description
Processor speed	Variable from 24 to 60 MHz
Power	<ul style="list-style-type: none"> • Single 3.3 V supply in • on-board reset controller
Serial ports	<ul style="list-style-type: none"> • 1 UART with modem control lines • 1 UART with RX/TX • 1 IrDA • 1 I²C (in SW)
USB	3 full-speed host ports (12 Mbps)
Audio	<ul style="list-style-type: none"> • MIC in (8 or 11 kHz) • Stereo Line-out (8 to 44.1 kHz)
LCD	<ul style="list-style-type: none"> • 4- or 8-bit STN and CSTN • 12-bit TFT • integrated touch-panel controller

Product Image



Block Diagram



[enlarge image](#)

Feature	Description
Keypad	Key-matrix scan hardware supporting up to 88 keys (8 × 11)
Bus	<ul style="list-style-type: none"> • 32 Data • 26 Address • 3 Chip-selects • 4 Write “lanes” • 1 Read • 3 IRQs • Expansion Clock and Ready
NOR flash	Technsol’s boot loaders and Linux 2.4.25 kernel are stored in 2 MB of NOR flash.
Main memory	up to 32 MB of SDRAM
Solid-state disk	provided via DiskOnChip (up to 32 MB)
Memory expansion	Memory card interface supporting MultiMediaCard (MMC)
Software	Included drivers: <ul style="list-style-type: none"> • all the on-board peripherals • Linux framebuffer • GTK+ • Qt Embedded • X11 (Xorg) • Audio Play and Record programs • file systems • USB: <ul style="list-style-type: none"> • Mass Storage Devices • Human Interface Devices

Ordering Information

Model Name	Part Number	Price: \$ at Q=1000
HY7201#360	37#000001#360	\$180

Please **Contact Us** for pricing for other quantities.

Contact Us

Telephone	1 888 TECHSOL
Web	Contact form
E-mail	<sales@techsol.ca>

See also

- [DevKits](#)

Feature	Description
	<ul style="list-style-type: none"> • text input devices, such as keyboards • pointing devices, such as mice and trackballs • USB Gadget • etc. • for all the I/O board peripherals, such as: <ul style="list-style-type: none"> • Ethernet • USB Gadget • extra UARTs • etc.
Dimensions	50 mm × 50 mm

This module is unique because, in addition to the LCD controller, it has a CRT controller (with color lookup tables and DACs) for directly interfacing to a CRT monitor.

Applications

This module is useful in a wide range of applications due to its:

- CRT Controller (very unique in a computer this size)
- High-speed IrDA (up to 4 Mbps)
- Feature Mix
- Low Cost (High Value Proposition!)

Customers of this module have deployed them in:

- Industrial Controls
- Handheld Ticketing Systems
- Remote Monitoring
- Factory Automation and Monitoring
- Building Controls and Monitoring
- Telematics (Vehicle Tracking)
- Wireless Surveillance Systems
- Autonomous Vehicle Controllers
- Yacht Security Systems

The HY7201 is used in so many applications we can't list them all here!