

Medallion TPC#57A Touch Panel Computer

\$Id: TPC57A.xml 2597 2012-07-30 05:34:25Z brolin \$

Techsol has another 200 MHz Industrial#Grade Computer with:

Important

The TPC#57A has been replaced by the upgraded **TPC#57B**, which features an **active#matrix color LCD with LED backlight** and **Fast Ethernet (10BaseT/100BaseTX)**. Please [contact us](#) for more information.

Features

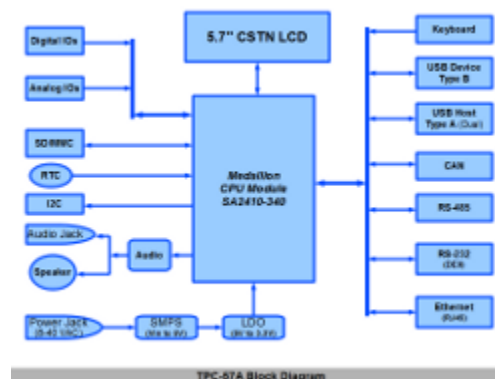
- qVGA (320×240) **Color LCD Panel** with CFL Backlight and optional Touch panel
- Switching power supply operates from 14 to 30 volts (AC or DC) in.
- **Low#power 10BaseT Ethernet** interface
- GPIO for push buttons, etc.
- 2 × **RS#232 serial interfaces** on DE#9 connectors
- 1 × **RS#485 serial interface** on terminal strip
- 2 × **ultra#efficient SMPS** feeding 5 V for logic and display, and 12 V for the backlight inverter
- High#quality **16#bit Audio Out** (for MP3s, Announcements, etc.)
- 4 channels of **4–20 mA Analog Sensor Inputs** and **digital inputs and outputs**, preconfigured to drive optocouplers (with LED drive power)
- There is a **low#power Real#Time Clock** with Battery Backup (RTC)
- There is a **Header for external PC devices**, with +5 V Power and Ground
- There is a **Flash Memory Card Connector** for SD or MMC
- Of course, there are **Dual USB Host ports** (USB Type A connector)
- plus a **USB Device (Gadget) port** (USB Type B connector)

Product Image



[enlarge image](#)

Block Diagram



[enlarge image](#)

- And, like all devices powered by a Medallion CPU Module, it ships with **Linux 2.6 plus drivers preinstalled!**

all packaged into a space barely 4.5# × 7# × 1.25#
Power consumption 8 watts or less (depending on CPU speed and display mode).

Ordering Information

Model Name	Part Number	Price: \$ at Q=1000
TPC#57A	38#000080#640	\$520

Please **Contact Us** for pricing for other quantities.

Contact Us

Telephone	1 888 TECHSOL
Web	Contact form
E-mail	<sales@techsol.ca>

See also

- [TPC#57A press release](#)
- [DevKits](#)