

Medallion TPC#43C “Green Tech” Touch Panel Computer

\$Id: index.xml 1885 2009-04-15 18:34:34Z brolin \$

The TPC#43C is a low carbon-footprint computer with a **Color TFT LCD and Touch panel** plus **Power over Ethernet**, targeting Building Automation and factory HMI (Human#Machine Interface) applications.

Features

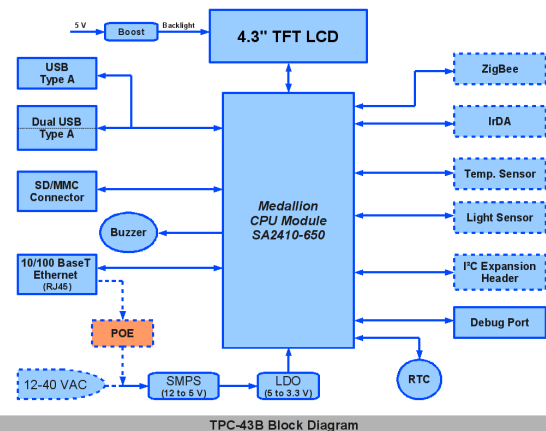
- WqVGA (480x272) 4.3", Color, TFT LCD Panel in Landscape format, with 65,000 colors, adjustable LED Backlight, and Touch panel
- Powered by a standard Medallion CPU Module (an SA2410-650 is included) for flexibility, the 32-bit ARM9 processor features 32 kB of cache, 64 MB of SDRAM, and 128 MB or more of NAND flash, plus a separate NOR flash for reliable bootloader and SW update options
- Power-Over-Ethernet (POE) dramatically reduces installation costs.
 - Replace power cables with a single CAT 5 cable for both power and Ethernet.
- Power options: 10 - 30 VDC or 7 - 24 VAC or POE
- Low-power, passive cooling enables fanless operation
 - Typical power consumption with 12 V in, with LCD & Backlight ON is < 200 mA @ 200 MHz (full-speed)
 - To reduce power consumption, software can turn the backlight ON/OFF and control the brightness
- Low-power, Real-Time Clock (RTC) with Battery Backup included
- Hidden Memory Card Connector for SD and MMC cards (for user-upgradeable storage expansion)

Product Image



[enlarge image](#)

Block Diagram



[enlarge image](#)

- **Full-speed, USB Host ports** (USB Type A connectors) supports **Wireless Expansion, such as 802.11 or Bluetooth**
- **10/100-BaseT Ethernet** interface with RJ-45 connector featuring integrated LED status indicators
- **all connections exit the rear**, unlike PC-based products whose connectors point into the drywall
- **SW-controlled beeper** with **frequency/tone control** are standard
- **RS232 serial interface** on optional DE-9 adapter to accelerate SW development
- Ships with the proven **Medallion Linux 2.6.3x plus drivers pre-installed.**
- **Dimensions:** Width: 178 mm, 7" Height: 100 mm, 3.95" Thickness: 9 mm, 0.4" from wall (Over all: 33 mm, 1.3")
- **Mounting:** This unit sits in a recessed hole in the wall or instrument panel. It is held in place by magnets which clamp to a wall bracket (supplied). It requires a recess of only about 1" (25mm).
- **GUI options include:**
 - Choice of **Qt on X** or **Qt Embedded**, for full PC compatibility
 - Linux **Framebuffer** (FB), operating in 16-bit, 65,536-color mode
 - **X11 (Xorg)** on FB for standard Linux/Unix graphics
 - **FLTK** on X, for a full-featured, extensible, yet *free* GUI
 - **GTK+** on X, another option for PC compatibility
 - Ask about **Web Browser Support** as we offer a few options there

Ordering Information

Model Name	Part Number	Price: \$ at Q=1000
TPC#43C	38#000690#211	\$345

*Standard configuration includes 200 MHz processor speed; 64 MB SDRAM; 2 MB NOR FLASH; 128 MB SSD; other configurations are priced accordingly.

Please **Contact Us** for pricing for other quantities.

Contact Us

Telephone	1 888 TECHSOL
Web	Contact form
E-mail	<sales@techsol.ca>

See also

- [TPC#43C press release](#)
- [DevKits](#)