

# Medallion TPC-43A Touch Panel Computer

\$Id: index.xml 1885 2009-04-15 18:34:34Z brolin \$

The **TPC#43A** is an industrial-grade embedded computer with a **Color, TFT LCD and Touch panel** targeting Building Automation applications.

## Features

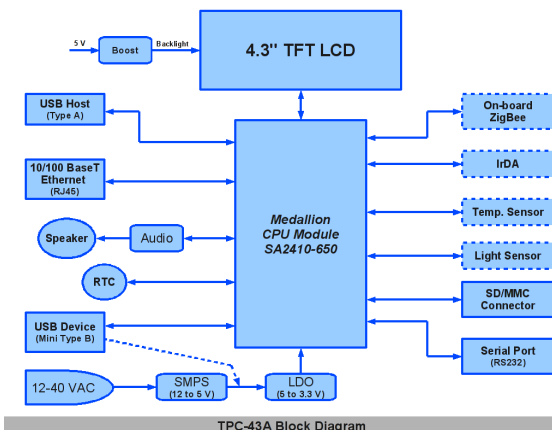
- WqVGA (480x272) **4.3"**, **Color, TFT LCD Panel** in Landscape format, with 256,000 colors, adjustable **LED Backlight**, and **Touch panel**
- Powered by a standard **Medallion CPU Module** (an **SA2410-640** is included) for flexibility, the 32-bit **ARM9 processor** features **32 kB of cache**, **32 - 64 MB of SDRAM**, and 128 MB or more of **NAND flash**, plus a separate **NOR flash** for reliable bootloader and SW update options
- **Low-power**, passive cooling enables **fanless operation**
- High-quality, **16-bit Audio** with **onboard speaker**
- **Low-power, Real-Time Clock (RTC)** with Battery Backup included
- **Hidden Memory Card Connector** for Secure Digital (SD) and MultiMediaCard (MMC) (for user-upgradeable storage expansion)
- **Full-speed, USB Host port** (USB Type A connector) supports **Hidden Wireless Expansion**, such as **802.11** or **Bluetooth**
- **USB Device (Gadget) port** (USB Type B connector)
- **Fast Ethernet (10BaseT/100BaseTX)** interface with RJ45 connector featuring integrated LED status indicators
- Optional **ZigBee wireless** built-in for **wireless data collection** and **building management**
- **RS232 serial interface** on DE9 connector for development versions, to accelerate SW development
- **Power options:** 10 - 30 VDC or 7 - 24 VAC

## Product Image



[enlarge image](#)

## Block Diagram



- To **reduce power consumption**, software can turn the **backlight intensity** ON/OFF and control the **brightness**
- Ships with the proven **Medallion Linux 2.6 plus drivers pre-installed!**

**Dimensions:**

- **Width:** 129 mm, 5.1"
- **Height:** 111 mm, 4.4"
- **Thickness:** 28 mm, 1.1"
- **Mounting:** Even though the unit covers a **2-gang electrical box**, the power and Ethernet are on one side, so it can be mounted to a **1-gang electrical box**.

**GUI options include:**

- Linux **Framebuffer** (FB), operating in 16-bit, 65,536-color mode
- **X11 (Xorg using fbdev)** on FB for standard Linux/Unix graphics
- **FLTK** on X, for a full-featured, extensible, yet *Free* GUI
- **GTK+** on X, for full PC compatibility
- **QtEmbedded** on FB for a contemporary, appealing visual design and enhanced functionality
- We've even ported over obscure GUIs, such as **EZWGL**, for critical control environments where C++ is not allowed (such as food processing lines)

[enlarge image](#)

**Ordering Information**

Model Name	Part Number	Price: \$ at Q=1000
TPC#43A	38#000500#640	\$339

Please **Contact Us** for pricing for other quantities.

Take advantage of [special discounted pricing](#) while supplies last.

**Contact Us**

Telephone	<a href="tel:1888TECHSOL">1 888 TECHSOL</a>
Web	<a href="#">Contact form</a>
E-mail	<a href="mailto:sales@techsol.ca">&lt;sales@techsol.ca&gt;</a>

**See also**

- [TPC#43A press release](#)
- [DevKits](#)